



PAOLO CASTELLI

IPAN
EMA



IMA
NE



IPANEMA

Thierry Lemaire

A new living collection born from the pencil of architect and designer Thierry Lemaire for the Paolo Castelli INSPIRATION line. The IPANEMA sofa, armchair and coffee table are a free tribute to the sophisticated and timeless expressiveness of French furnishings.

Une nouvelle collection living née du crayon de l'architecte et designer Thierry Lemaire pour la ligne Paolo Castelli INSPIRATION. Le canapé, le fauteuil et la table basse IPANEMA sont un libre hommage à l'expressivité sophistiquée et intemporelle du mobilier français.



Inspiration
Fine furniture and lighting

SOFTNESS

Rational forms in contrast
with a sweet padding



IPANEMA

Sofas & Armchair

The three-seater sofa and the IPANEMA armchair interpret maximum comfort through rigorous but delicate lines, never rigid. The structure - represented by a metal frame in matt black satin nickel finish and matt gold for the feet - holds full-bodied and soft seat cushions made of polyester fiber with an insert in non-deformable different density material. For extra comfort, the back cushions have additional padding in sterilized goose down.

The upholstery fabric contributes to making IPANEMA a collection of absolute value. Sofas and armchairs are in fact covered with precious fabrics signed by the historic French brand Métaphores Paris. A pioneer in the weaving and printing of fabrics for interior decoration, Métaphores is an established and contemporary brand of great inspiration, linked to the Hermès textile sector. These special upholstery fabrics give contemporary design a unique allure with shades of light and colour of absolute elegance. All seat and back cushions have removable covers.

Le canapé trois places et le fauteuil IPANEMA interprètent le confort maximal à travers des lignes rigoureuses mais délicates, jamais rigides. La structure - représentée par une structure en métal finition nickel satiné noir mat et or mat pour les pieds - accueille des coussins d'assise présents et moelleux en fibre de polyester avec un insert en matériau indéformable de différentes densités. Pour plus de confort, les coussins de dossier ont un rembourrage supplémentaire en duvet d'oie stérilisé.

Le revêtement contribue à faire d'IPANEMA une collection de valeur absolue. Canapés et fauteuils sont en effet recouverts de tissus précieux signés par la marque française historique Métaphores. Pionnière dans le tissage et l'impression de tissus pour la décoration d'intérieur, Métaphores est une marque établie et contemporaine de grande inspiration, liée au division textile Hermès. Ces revêtements spéciaux donnent au design contemporain une allure unique avec des nuances de lumière et de couleur d'une élégance absolue. Tous les coussins d'assise et de dossier sont déhoussables.



IPANEMA Sofas & Armchair



Materials

Structure
matt black satin Nickel finish metal with
feet in matt gold finish. Elastic support
straps

Seat cushions
in polyester fiber with insert in non-
deformable different density material

Backrest / armrest
padding in polyurethane, covered in
polyester fiber

Back cushions
Sterilized goose down



IPANEMA

Coffee Tables

The two IPANEMA coffee tables complete the timeless elegance of the chairs with their essential and rarefied presence. Like the whole IPANEMA collection, they are characterized by a metal structure with a matt black nickel finish that supports and “embeds” on one side the precious rectangular marble top with a thickness of 10 cm. The coffee tables are proposed in three precious versions of marble: Grand Antique, Calacatta or Sahara Noir.

Les deux tables basses IPANEMA complètent l'élégance intemporelle des chaises avec leur présence essentielle et discrète. Comme toute la collection IPANEMA, elles se caractérisent par une structure en métal finition nickel noir mat qui soutient et “encastre” d'un côté le précieux plateau rectangulaire en marbre d'une épaisseur de 10 cm. Les tables basses sont proposées en trois précieuses qualités de marbre : Grand Antique, Calacatta ou Sahara Noir.



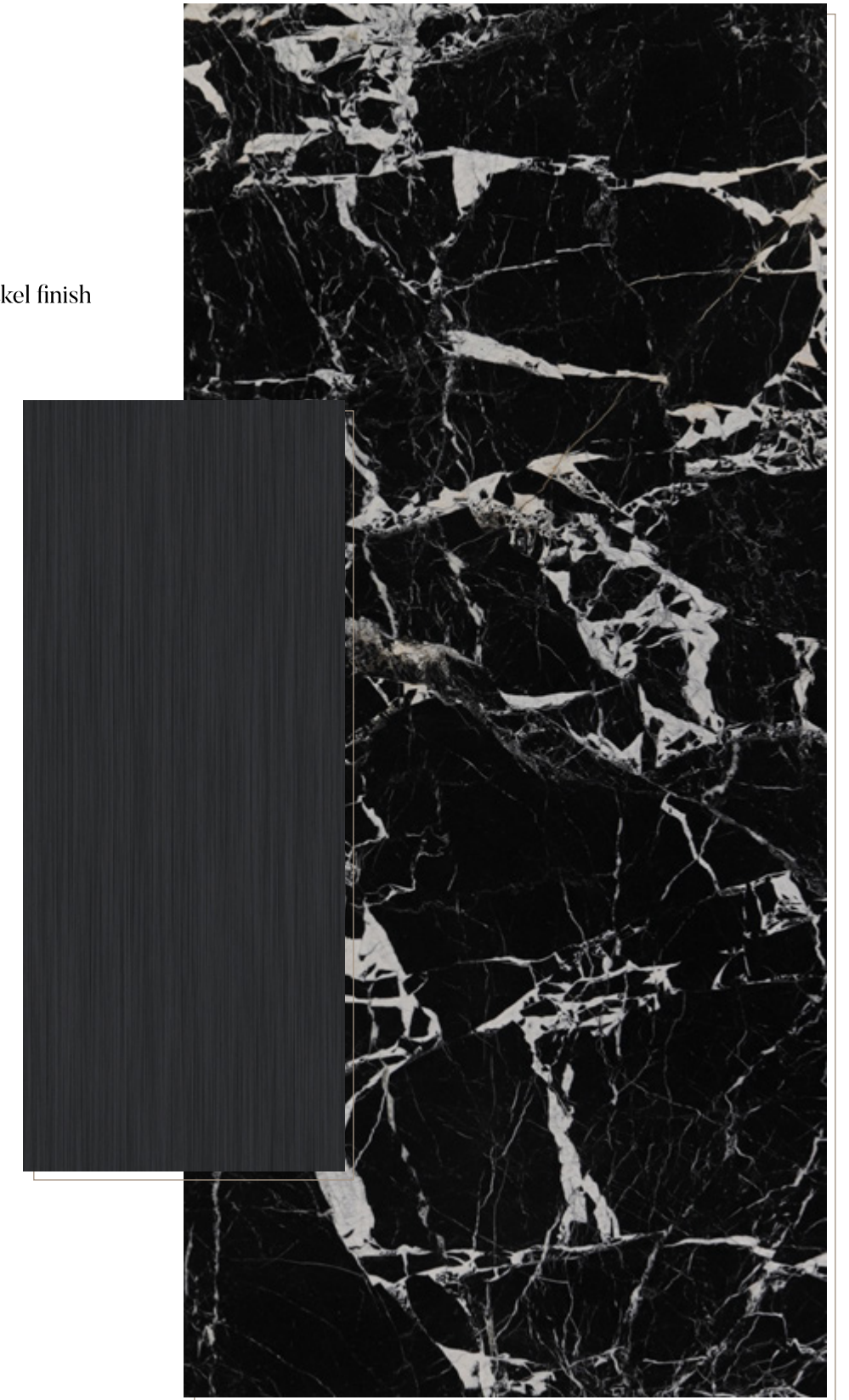
IPANEMA Coffee Tables



Materials

Top
Grande Antique marble, Calacatta
or Sahara Noire

Base
Aluminum with matt black satin nickel finish



IMANE

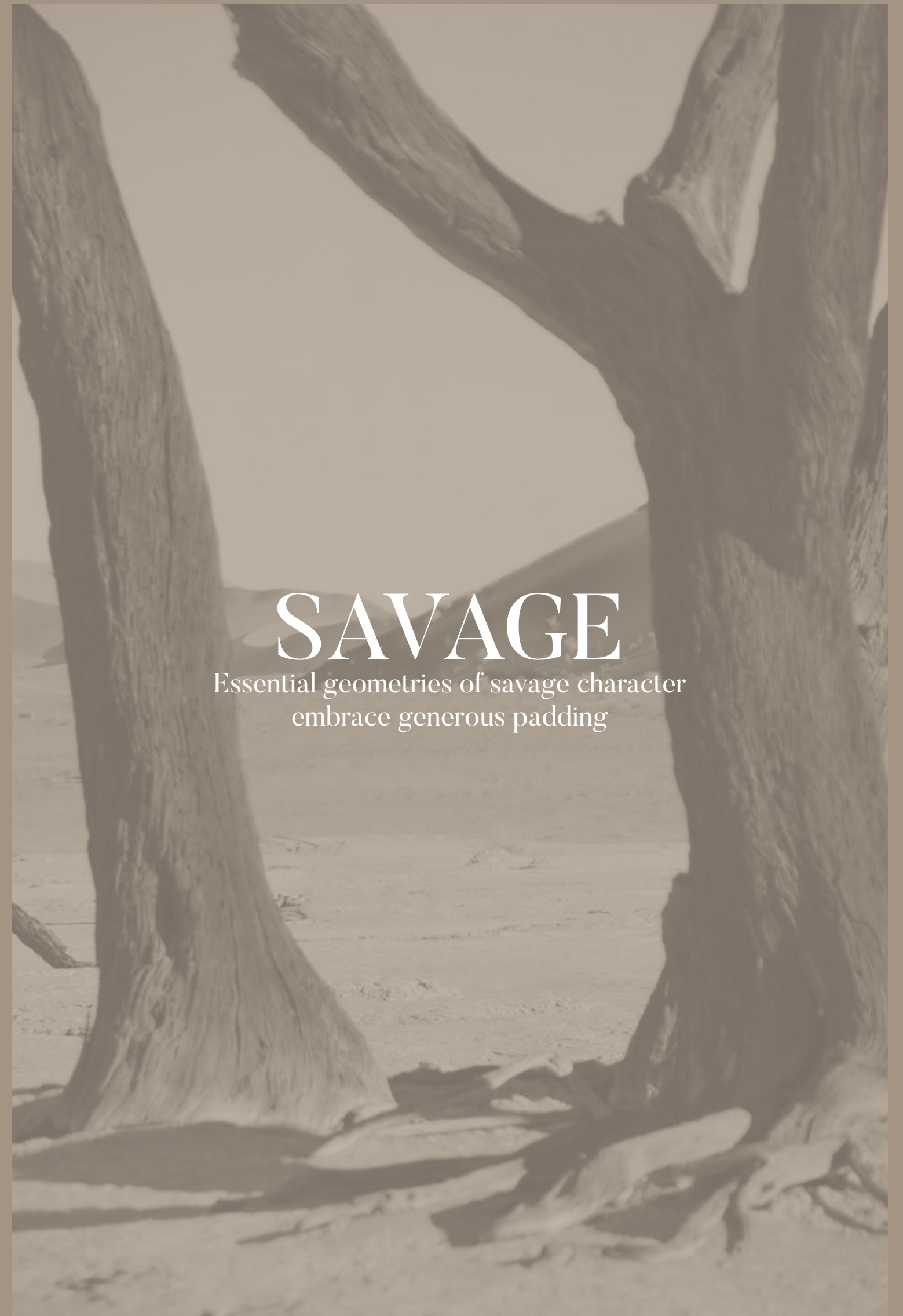
Hubert De Malherbe, Thierry Lemaire, Paolo Castelli

A new collection of upholstered seats and outdoor coffee tables designed by Hubert de Malherbe, Thierry Lemaire and Paolo Castelli. Made in natural materials and handcrafted down to the smallest detail, IMANE is part of the broader GREENKISS project which includes the company's green soul collections.

Une nouvelle collection de sièges rembourrés et de tables basses d'extérieur imaginées par Hubert de Malherbe, Thierry Lemaire et Paolo Castelli. Réalisé avec des matériaux naturels et fabriqué à la main dans les moindres détails, IMANE fait partie du projet plus large GREENKISS qui comprend les collections d'âme green de l'entreprise.



GREENKISS
OUTDOOR COLLECTION





IMANE

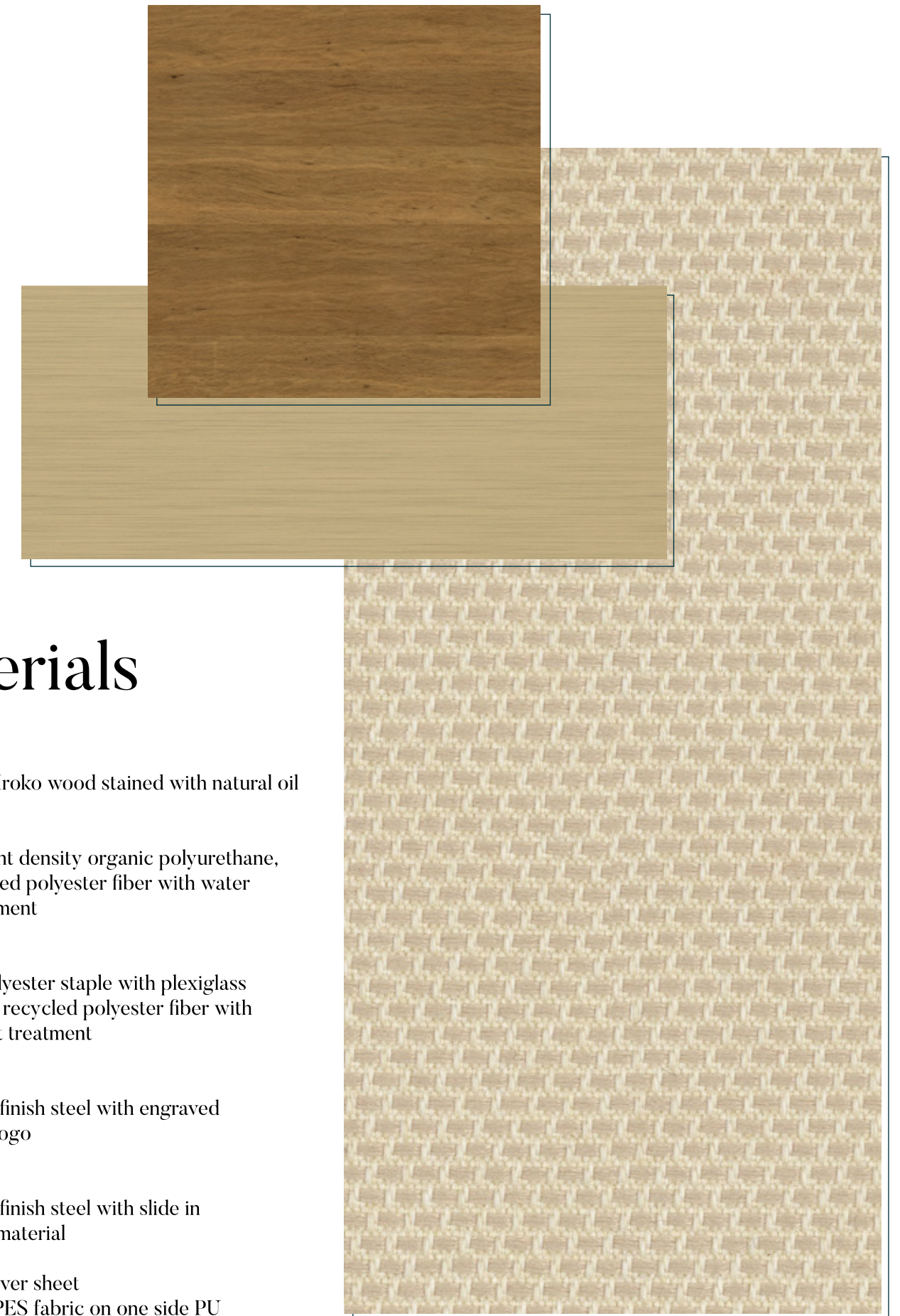
Sofas & Armchair

The IMANE sofas and armchair are characterized by a linear structure in solid Iroko wood stained with natural oil, with a refined and essential image. The particularly resistant nature of Iroko, even greater after the aging process, makes this essence particularly suitable for external conditions. The structure holds large seat cushions in shaped different density organic polyurethane and back cushions in recycled polyester staple. All cushions - including the loose cushions that make the seat even more embracing and comfortable - are covered with water-repellent polyester fiber fabric in many variations of textures and colours, all designed for outdoor life.

Les canapés et le fauteuil IMANE se caractérisent par une structure linéaire en bois massif d'Iroko teinté à l'huile naturelle, avec une image raffinée et essentielle. La nature particulièrement résistante de l'Iroko, encore plus grande après le processus de vieillissement, rend cette essence particulièrement adaptée aux conditions extérieures. La structure tient de grands coussins d'assise en polyuréthane organique façonné à densité différenciée et des coussins de dossier en fibre de polyester recyclé. Tous les coussins - y compris les coussins lâches qui rendent le siège encore plus moulant et confortable - sont recouverts d'un tissu en fibre de polyester hydrofuge dans de nombreuses variations de textures et de couleurs, tous conçus pour la vie en plein air.



IMANE Sofas & Armchair



Materials

Structure
Brushed solid Iroko wood stained with natural oil

Seat cushion
shaped different density organic polyurethane,
cover in recycled polyester fiber with water
repellent treatment

Back cushion
In recycled polyester staple with plexiglass
insert, lining in recycled polyester fiber with
water repellent treatment

Joining link
In champagne finish steel with engraved
GREENKISS logo

Toes
In champagne finish steel with slide in
thermoplastic material

Waterproof cover sheet
single coated PES fabric on one side PU

IMANE

Coffee Table

The IMANE coffee table has a linear structure in brushed solid Iroko wood stained with natural oil, with soft and expressive lines that look to the essential nature of Japanese furnishings. The top, made of travertine with water and oil repellent treatment, leans on the structure and gives the whole an unexpected light and natural effect.

La table basse IMANE a une structure linéaire en bois d'Iroko massif brossé teinté à l'huile naturelle, aux lignes douces et expressives qui rappellent la nature essentielle du mobilier japonais. Le plateau, en travertin avec traitement hydrofuge et oléofuge, repose sur la structure, donnant à l'ensemble un effet lumineux et naturel inattendu.



IMANE Coffee Table

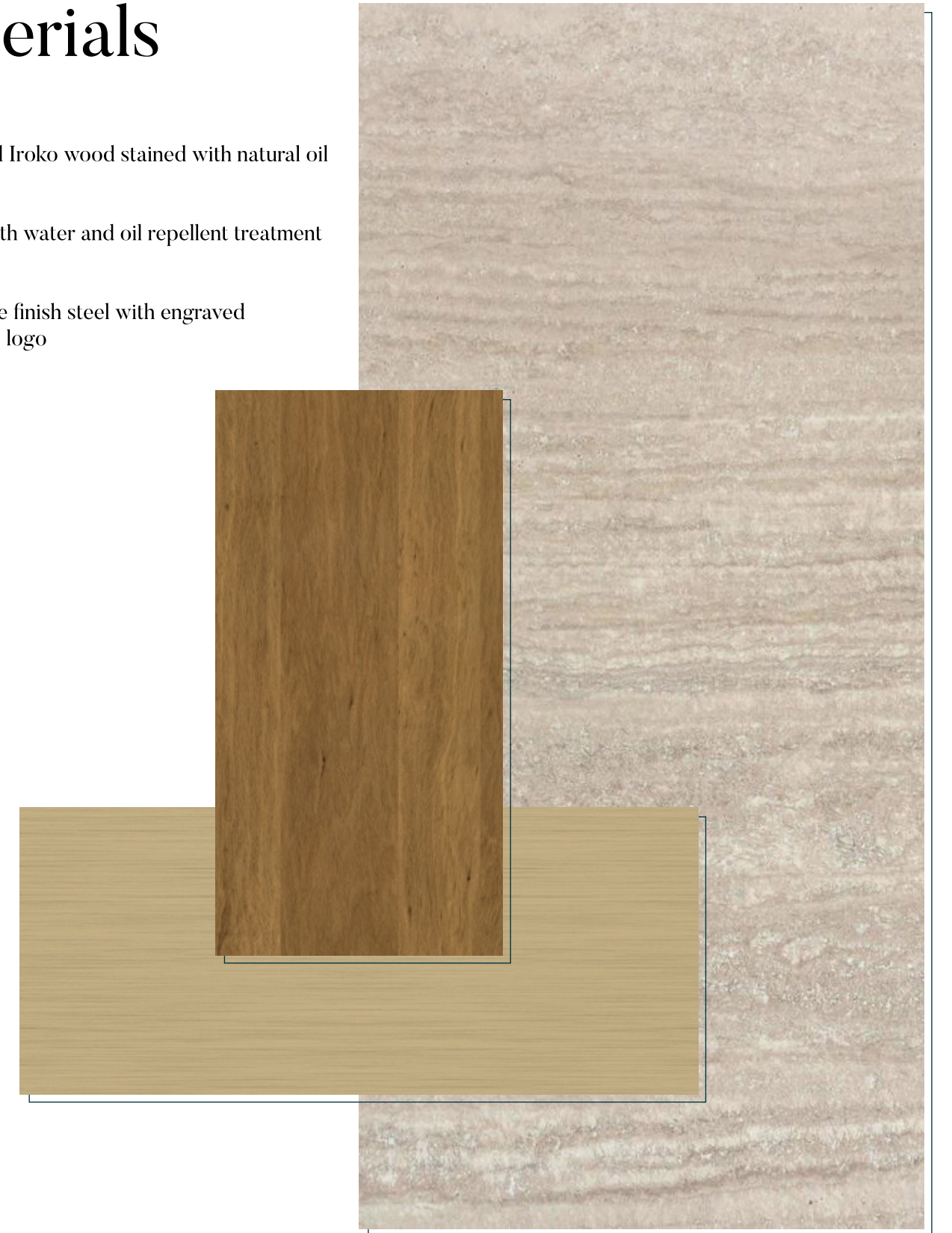


Materials

Structure
Brushed solid Iroko wood stained with natural oil

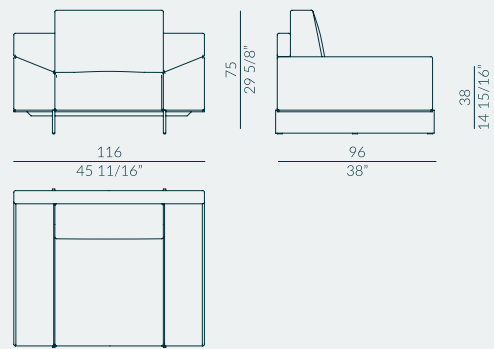
Top
Travertine with water and oil repellent treatment

Joining link
In champagne finish steel with engraved
GREENKISS logo



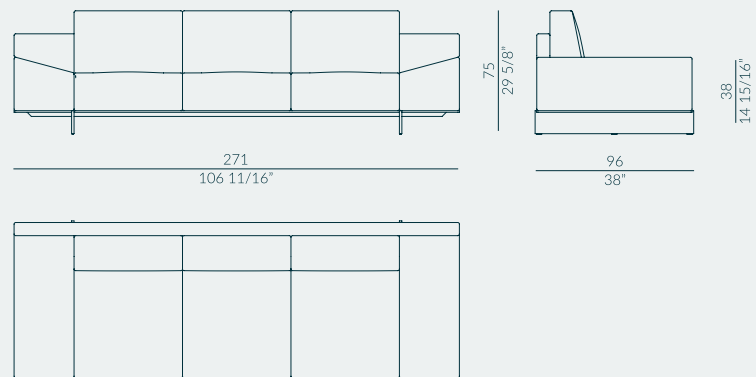
IPANEMA

IPANEMA Armchair

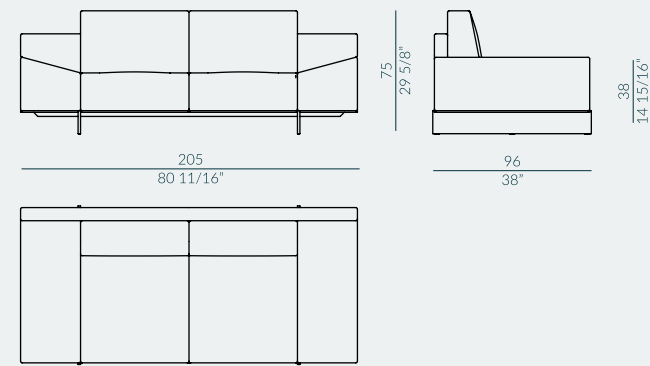


IPANEMA Sofas

3 seats

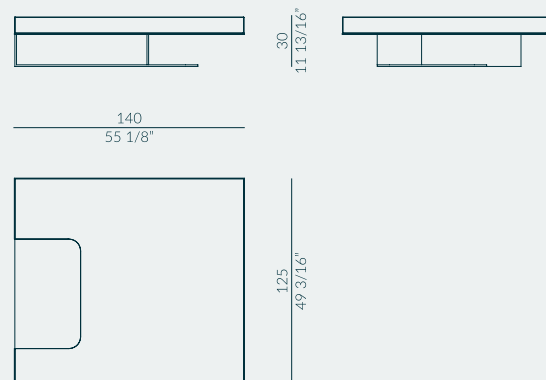


2 seats

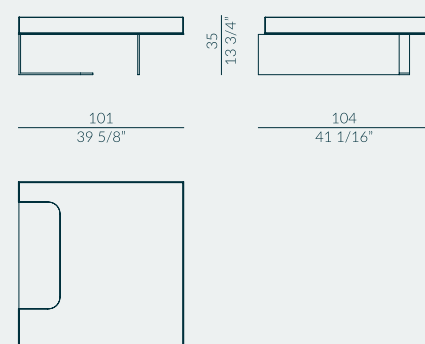


IPANEMA Coffee Tables

mod 140

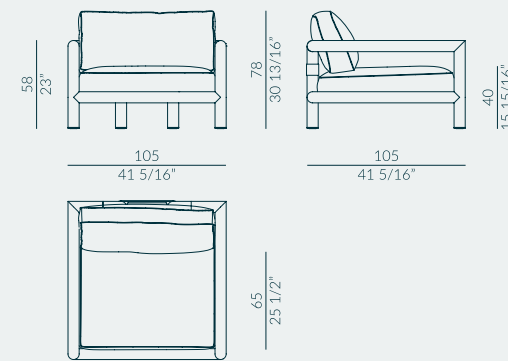


mod 101



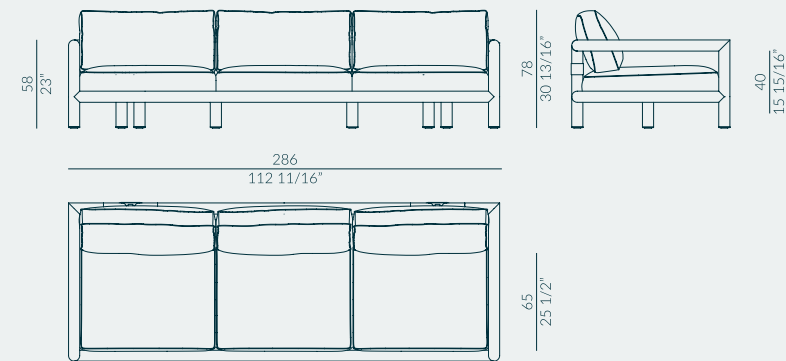
IMANE

IMANE Armchair

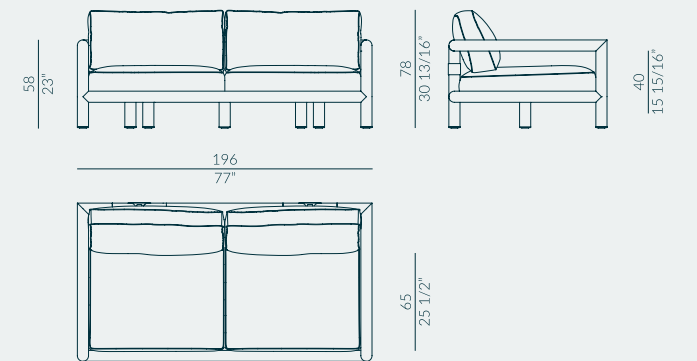


IMANE Sofas

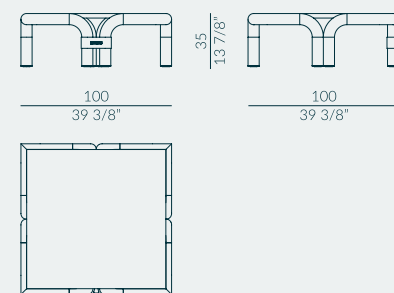
3 seats



2 seats



IMANE Coffee Table



BETWEEN DESIGN AND GLOBAL CONTRACT

From artisan cabinetmaking to furniture and lighting collections, up to large contract projects: 140 years of history Made in Italy.

PAOLO CASTELLI S.p.A. is a leading Italian company in the field of global contracting and design on a national and international level, to which is added the furniture and lighting collection. Heir to a family tradition of over 100 years, it has been able over the years to anticipate the new needs of the market - between craftsmanship and industry - becoming a dynamic and flexible reality, always available to its important customers.

PAOLO CASTELLI COLLECTIONS

INSPIRATION: This refined line was born thanks to the best Italian craftsmanship. The best artisan Italian manufacturing propose elegant furniture and lighting fixtures, with the sophisticated taste of European interiors of the 30s and 40s.

GREENKISS : collection designed 6 hands by Paolo Castelli, Hubert de Malherbe and Thierry Lemaire. Elegant and composed by a corpus of eco-responsible products. Lamps, seats, upholstered furniture, tables and cabinets that not only express the importance of the functional and aesthetic aspects of the furniture, but underline the value and charm of how an ethical design must become the power of a new positive feeling towards the environment as "a resource".

MORANDI COLLECTION: decorative objects and small furniture inspired by the great Bolognese artist Giorgio Morandi, in collaboration with the municipality of Bologna and its museum.



PAOLO CASTELLI

Inspiration
Fine furniture and lighting

GREENKISS
ECO-RESPONSIBLE FURNITURE

Morandi
COLLECTION



BOLOGNA
Headquarter
Via I° Maggio, 93
40064 Ozzano Dell'Emilia (BO)
Italy
info@paolocastellispa.com

MILANO
Showroom
Via San Carpoforo
20121 Milan
Italy
milano@paolocastellispa.com

BARI
Flagship Store
Via Abate Giacinto Gimma, 154
70122 Bari
Italy
bari@paolocastellispa.com

PARIS
Showroom
266 Boulevard Saint Germain
75007 Paris
France
france@paolocastellispa.com